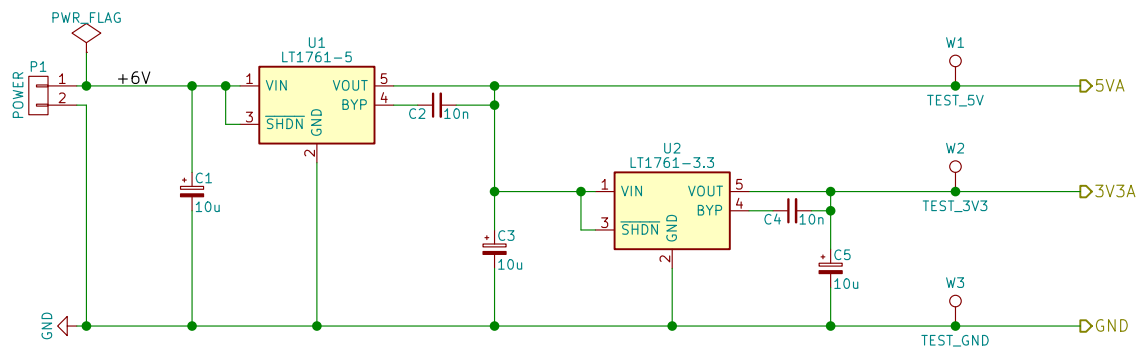


Sheet: /		
File: environment-sensor.sch		
Title:		
Size: A4	Date:	Rev:
KiCad E.D.A. kicad 5.0.1-33cea8e68ubuntu18.04.1		Id: 1/5



Sheet: /Power Supply/
 File: power.sch

Title:

Size: A4

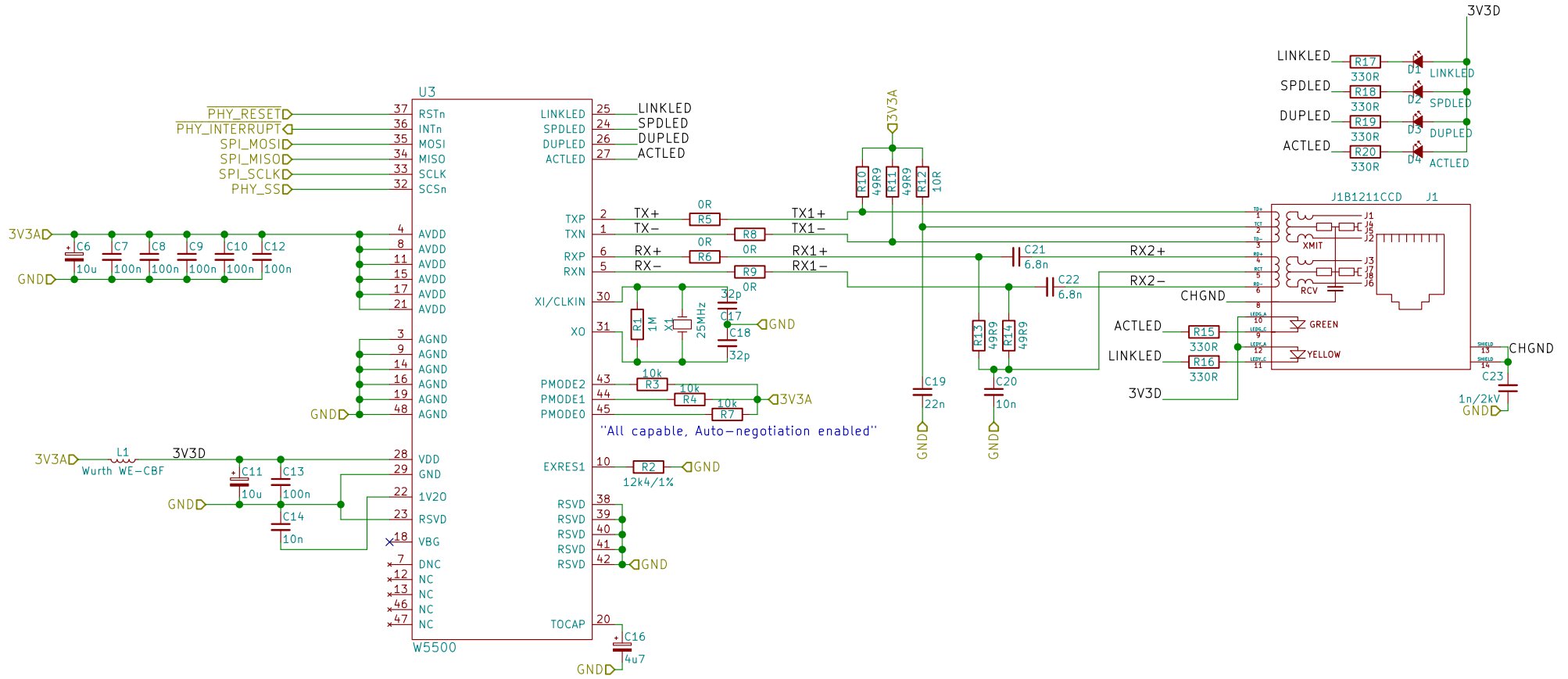
Date:

KiCad E.D.A. kicad 5.0.1-33cea8e68ubuntu18.04.1

Rev:

Id: 2/5

Separate TX and RX on PCB, but keep differential pairs together and matched
 Keep TX and RX short (<25mm)
 See http://ftp1.digi.com/support/documentation/022-0137_F.pdf

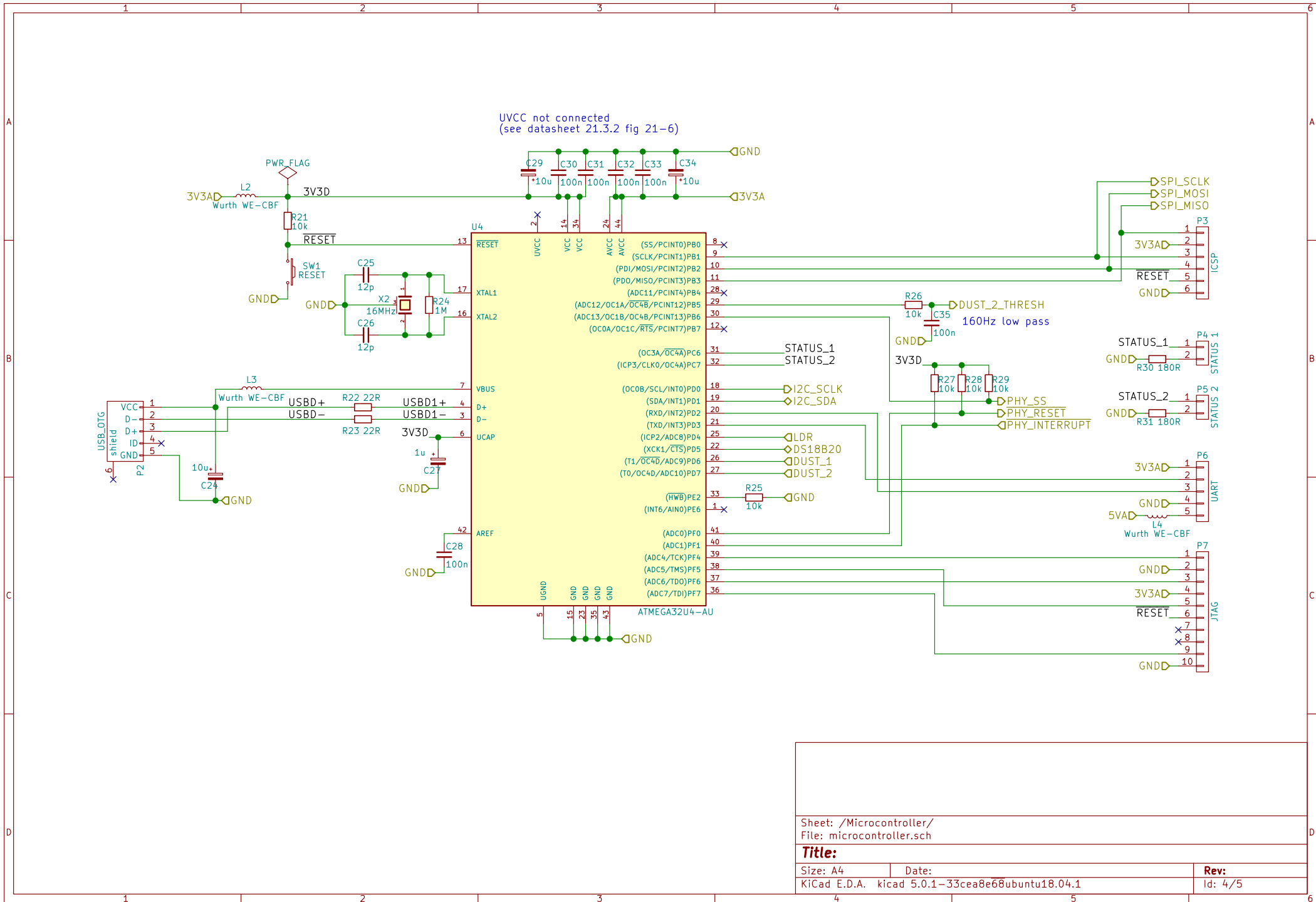


Sheet: /Network I/O/
 File: network.sch

Title:

Size: A4 Date:
 KiCad E.D.A. kicad 5.0.1-33cea8e68ubuntu18.04.1

Rev:
 Id: 3/5



Sheet: /Microcontroller/
File: microcontroller.sch

Title:

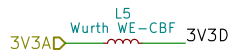
Size: A4

Date:

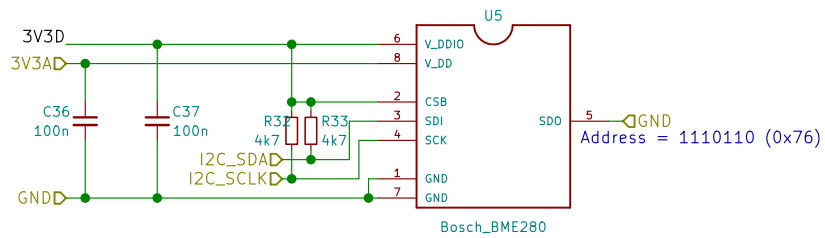
KiCad E.D.A. kicad 5.0.1-33cea8e68ubuntu18.04.1

Rev:

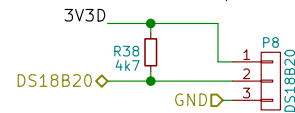
Id: 4/5



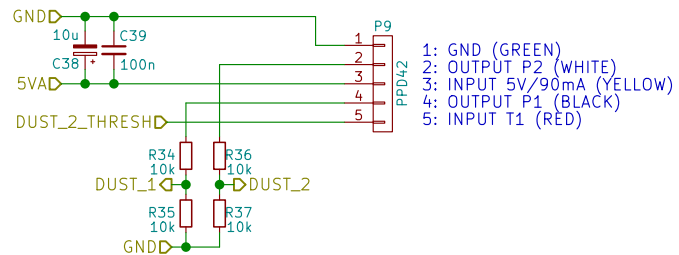
Temperature/humidity/pressure sensor



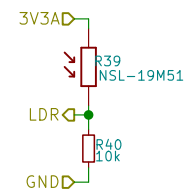
Temperature sensor



Dust sensor



Light sensor



Sheet: /Sensors/
File: sensors.sch

Title:

Size: A4

Date:

KiCad E.D.A. kicad 5.0.1-33cea8e68ubuntu18.04.1

Rev:

Id: 5/5